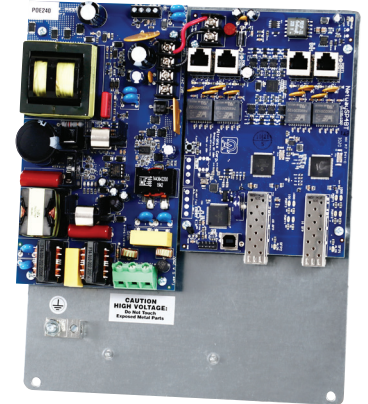


# NetWaySP41BTPL

4-port Hardened 4PPoE (802.3bt) Switch with Integral Power on a Backplane



Altronix NetWaySP41BTPL supports up to 90W per port (240W total power) for deploying the latest high-powered IP devices in remote locations. It is equipped with two (2) 1Gb SFP ports to transmit data at long distances and four (4) 802.3bt compliant Ethernet ports. NetWaySP41BTPL accommodates single/multi-mode fiber or composite cable (fiber+copper) to simultaneously deliver power and data from NetWay Spectrum head-end media converters/injectors.



NetWaySP41BTPL

## Key Features

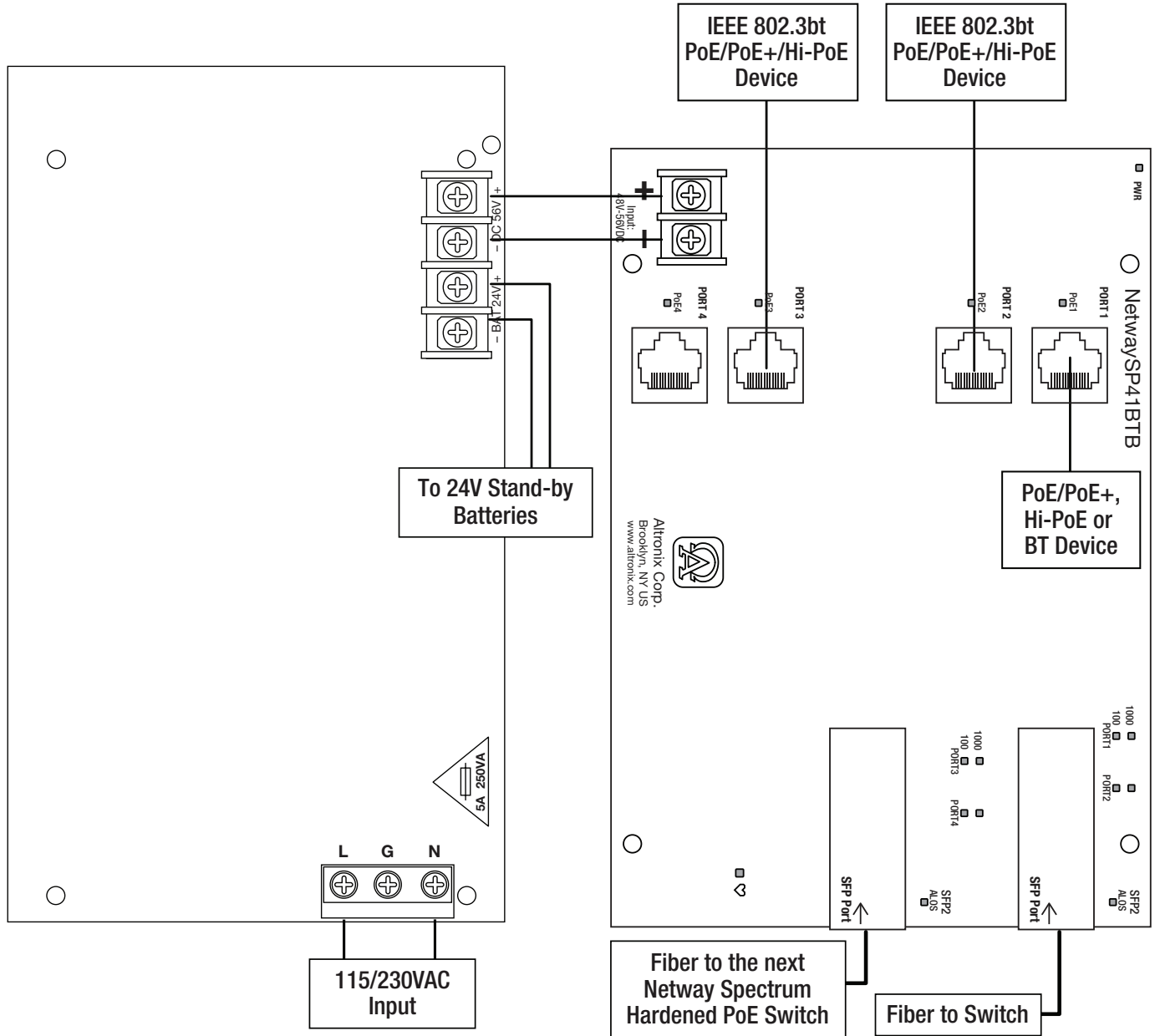
- Four (4) 10/100/1000 Mbps Ethernet ports rated at 90W each (limited to 240W total power)
- IEEE 802.3af, 802.3at, 802.3bt compliant
- Two (2) Gigabit SFP ports
- Built-in charger for LiFePO<sub>4</sub> (Lithium Iron Phosphate) or sealed lead acid or gel type batteries
- CE European Conformity
- Switch and power supply are factory mounted on a backplane

## Similar products

<b>NetWaySP41BTWPX</b>	Outdoor 4-port Hardened 4PPoE Switch with Integral Power in NEMA 4/4X, IP66-11 enclosure which accommodates stand-by batteries
<b>NetWaySP41BTWP</b>	Outdoor 4-port Hardened 4PPoE Switch with Integral Power in NEMA 4/4X, IP66-11 enclosure
<b>NetWaySP41BTWPN</b>	Outdoor 4-port Hardened 4PPoE Switch in NEMA 4/4X, IP66-11 enclosure
<b>NetWaySP41BTX</b>	4-port Hardened 4PPoE Switch with Integral Power in NEMA 1 Rated indoor enclosure
<b>NetWaySP41BTB</b>	4-port Hardened 4PPoE Switch (board only)

### Lifetime Warranty

## Typical Application



### Lifetime Warranty

Altronix Corporation | 140 58th St | Brooklyn, NY 11220 USA

phone: +1 718.567.8181 | fax: +1 718.567.9056 | email: info@altronix.com | www.altronix.com

## Specifications

### Input

Voltage 115VAC, 60Hz, 1.8A or 230VAC, 50/60Hz, 1A  
Fusing 5A/250V

### Power Output

Maximum Power Four (4) PoE ports rated at 90W each, 240W total power  
IEEE 802.3af (15W), IEEE 802.3at (30W), IEE 802.3bt (90W) compliant  
Integral surge protection

### SFP Ports:

Two (2) Gigabit SFP ports

### Ethernet Ports:

Four (4) 10/100/1000 Mbps ports  
Connectivity: RJ45, auto-crossover  
Wire type: 4-pair CAT5e or higher structured cable  
Speed: 10/100/1000 Mbps, half/full duplex, auto negotiation

### Battery Charging

Type 24VDC charging circuit charges LiFePO<sub>4</sub> (Lithium Iron Phosphate) or sealed lead acid or gel type batteries (require separate ventilated enclosure)

Failover Upon AC loss, instantaneous  
Batteries are sold separately

### Indicators (LED)

Individual PoE On LEDs for each port  
Individual IP Link status, 10/100/1000 Base-T/active LEDs for each port  
ALOS LED indicates fiber connection for SFP port  
Heartbeat LED indicates proper operation of the unit

### Agency Listings

CE European Conformity

### Physical and Environmental

#### Dimensions (H x W x D approx.):

Backplane: 10.75" x 8.875" x 2.375"  
(273.1mm x 225.4mm x 60.3mm)  
Shipping: 12" x 10" x 8"  
(304.8mm x 254mm x 203.2mm)

#### Weight (approx.)

Product: 2.6 lb. (1.18 kg)  
Shipping: 4.0 lb. (1.81 kg)

#### Temperature

Operating:  
240W: -40°C to 55°C (-40°F to 131°F)  
180W: -40°C to 65°C (-40°F to 149°F)  
150W: -40°C to 75°C (-40°F to 167°F)  
Storage: -40°C to 85°C (-40°F to 185°F)

Relative Humidity: 85% +/- 5%

BTU/Hr. (approx.): 122 BTU/Hr.

Operating Altitude: -304.8 to 2,000m

## Accessories (order separately)



### SFP Modules - Hot Pluggable Transceivers

P1MM Multi-Mode SFP Module for distances up to 550m  
P1SM10 Single-Mode SFP Module for distances up to 10km  
P1AB2K Single Strand SFP Module for distances up to 2km  
P1GCE Copper SFP Module for distances up to 100m



### NetWaySP1A

Ethernet over Fiber Media Converter/Repeater for Applications Requiring an Additional SFP (Fiber) Port  
NetWaySP1A PoE powered media converter/repeater converts 10/100/1000 Mbps to Fiber (1000Base-X/SX/LX).

### Lifetime Warranty